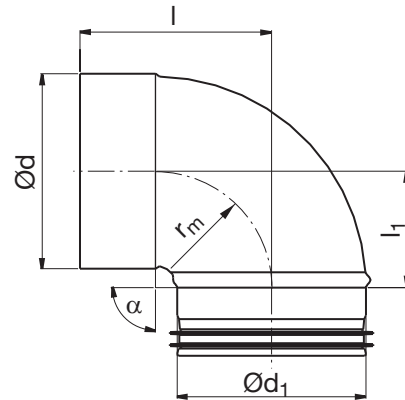


Bend – Casting-in programme

BKMU 90°



Dimensions



$$r_m = 0,6 \cdot d_1$$

Description

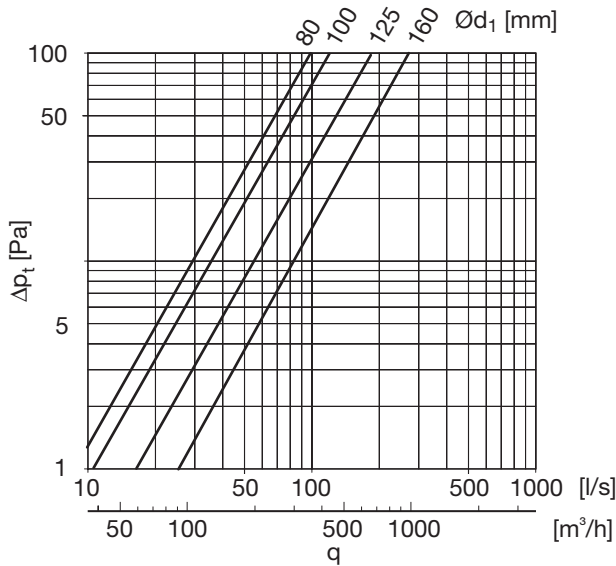
Pressed and seam welded bend with short installation length and female end.

Has Click function at the Safe end – has an open turned-over end.

Has normally not any Click function at the female end – hasn't any notches.

Ø 100–160 can upon order be delivered with click function at the female end as well – i.e. with notches.

Ød ₁ nom	Ød nom	l mm	l ₁ mm	m kg
80	80	123	80	0,13
100	100	105	62	0,21
125	125	120	79	0,31
160	160	136	94	0,63



Ordering example

